



COMMERCIAL REFRIGERATION EQUIPMENT FOR THE PROFESSIONAL

www.fosterrefrigeration.com  
Toll free: 1.833.367.8373

Model #:  
**FSSU-60-4D**

Prep Table Series:  
**4 Drawer Sandwich / Salad Prep Table**



## FSSU-60-4D

- Cabinet Construction**  
Stainless steel exterior and stainless steel interior including floor.
- Rounded corner** design inside of cabinet for easy cleaning.
- Standard door features:**  
Heavy duty pull handle. Each door features two spring loaded hinges with automatic closing.  
90° Hold-open feature for easy loading and unloading.
- Refrigeration system** holds 33°F to 41°F (0.5°C to 5°C) for the best in food preservation.
- Dixell Electronic Control System**  
Fully adjustable temperature set points and defrost frequency. Self monitors to diagnose service status. Dixell is a world leader in refrigeration controls.
- Drawers**  
Heavy duty Compex stainless steel drawer slides and rollers.
- Standard heavy-duty casters** make easy to move and clean underneath.



### Rough-In Data

Specifications subject to change without notice.

Model	Drawers	Shelves	Cabinet Dimensions (inches) (mm)			Capacity Cubic ft./ Liter	HP	Voltage	Amps	NEMA Config.	Crated Weight (pounds) (kg)
			W	D	H*						
FSSU-60-4D	4	0	60 1/4 1530	30 762	35 1/4 895	17.9 507	1/4	115/60/1	4.2	5-15P Ⓢ	353 160

\*Height measurement includes casters.

## STANDARD FEATURES

### Hydrocarbon Refrigeration System

- Foster's innovative and environmentally friendly design incorporates R-290 hydrocarbon refrigerant. Hydrocarbon refrigerants are naturally occurring and have zero ozone depletion potential (ODP-0) and a global warming potential of three (GWP-3).
- Factory balanced, self contained refrigeration system maintains temperatures of 33°F to 41°F (0.5°C to 5°C).

### Digital temperature control and monitoring system

- Digital temperature control and monitoring is powered by Dixell.
- Automatic evaporator fan motor delays.
- Front mounted digital display for real time monitoring.



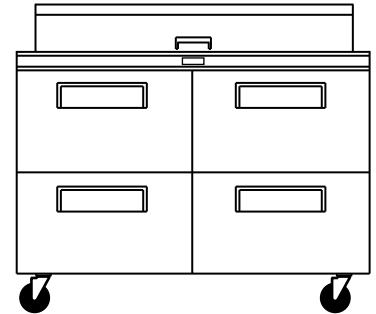
### Cabinet Construction

- Foster under counter series fridges and freezers feature **full** stainless steel exterior body with galvanized steel back panel. The interior cabinet is **full** stainless steel construction.
- Bottom frame is fitted with 3" casters equipped with locks on the front.
- Foam insulation - entire cabinet structure is injected in place during construction. This high density polyurethane insulation has zero ozone depletion potential (ODP-0) and a global warming potential of zero (GWP).

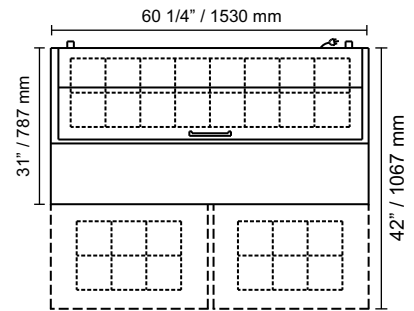
### Drawers

- One piece magnetic gaskets are removable for cleaning or replacement
- Stainless steel exterior with stainless steel interior liner.
- Stainless steel drawer frames and featuring Complex slide hardware.
- Each drawer can accommodate a full size insert 18"L x 12"D x 6"H (458mm x 305mm x 153mm). Variations of smaller sizes can be achieved with spreaders bars (included with unit).
- Top serving rail can accommodate sixteen 1/6 size inserts (6"L x 4"D x 6"H). Variations of smaller sizes can be achieved with spreaders bars (included with unit).

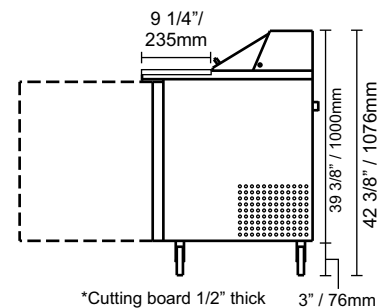
## PLAN VIEW



FRONT VIEW



PLAN VIEW



SIDE VIEW